

## F4T 1/4 DIN Process Controller

## Watlow's F4T Combines the Flexibility of a Modular I/O Controller with Best-in-Class Ease of Use

The F4T temperature process controller from Watlow® offers a wide range of field removable I/O modules for maximum design flexibility. Configurations can be custom tailored to meet the scaling needs of a tremendous range of equipment and applications while providing exactly the hardware types required for compatibility. The F4T controller also features a 4.3 inch, color, graphical touch panel. Combining power, flexibility and functionality, this new controller offers unmatched versatility, and its best-in-class ease of use could very well make user manuals a thing of the past.

### Features and Benefits

#### 4.3-inch, color touch panel with high-resolution, graphical user-interface

- Shortens learning curve and reduces operator errors
- Allows channels, profiles, alarms, inputs and outputs to be personalized with user defined names

#### Temperature PID, data logger, trend chart, over/under-temperature limit, power switching, math, logic, timers and counters combined into an integrated system

- Lowers ownership costs
- Eliminates the need for separate discrete components
- Reduces complexity
- Simplifies design, ordering and installation
- Saves money

#### Robust algorithms for temperature, cascade, altitude, humidity and compressor

- Improves process control
- Offers one to four channels of control
- Provides multiple PID sets
- Enables TRU-TUNE®+ adaptive control algorithm
- Offers 40 ramp and soak profiles with real-time clock and battery backup

#### COMPOSER® graphical configuration PC software

- Speeds up and simplifies commissioning
- Archives and documents controller setup
- Connects with controller easily via Ethernet



#### Email and text alerts



- Notifies users of an event that has occurred such as a specific profile or step within a profile, alarm condition, limit condition or analog input error

#### Batch processing with bar code data entry

- Easily collects and manages data records
- Inputs information from bar code scan for fast and easy data entry
- Offers foolproof processing via smart profile to part linkage
- Provides data security through password and data log encrypted file options
- Improves manufacturing robustness via reminder screens ensuring all data is entered during processing
- Helps ensure compliance with growing regulations and minimizes warranty exposure
- Eliminates part processing skips or walk arounds due to improved quality control
- Produces formatted data record report for easy receipt or record management uses

#### Many communications options available including Ethernet Modbus® TCP and SCPI and EIA-232/485 Modbus® RTU

- Offers two USB host ports and one device port
- Simplifies file transfers
- Connects easily

#### Modular design

- Adapts quickly to evolving requirements
- Offers numerous types of field pluggable modules for maximum flexibility and easiest compatibility
- Features scalable and modular firmware functions
- Delivers scalable input/output quantities from 1 to 36

#### SERIES F4S/F4D/F4P backward compatible

- Provides easy retrofit with minimum pain and disruption
- Ensures proper fit in existing SERIES F4 panel cutout

## Key Features and Options

- 1 to 4 control loops with TRU-TUNE+ adaptive control algorithm for superior controllability
- 40 profiles for ramp and soak
- Ethernet Modbus<sup>®</sup> TCP connectivity
- Multiple high-speed USB host ports
- Over/under-temperature limits for safety shutdown
- Universal, thermistor and ac current measurement inputs
- Inputs and outputs expandable from 1 to 36
- SENSOR GUARD prevents unplanned process shutdowns and product loss by switching to a backup sensor if the primary sensor fails
- High current outputs for up to 10A heaters or other loads
- Programmable timers, counters, math and logic
- Temperature, cascade, altitude, relative humidity, compressor algorithms and Vaisala<sup>®</sup> humidity compensation
- Sequencer start-up and control
- Retransmit and remote set point
- USB configuration port
- Configuration settings can be stored and recalled
- Removable modules and connectors
- Front-panel mount and flush mounting options
- Right angle and front-screw terminal options
- UL<sup>®</sup> listed, CSA, CE, RoHS, W.E.E.E., FM
- Multi-language options
  - English, German, French, Italian, Spanish, Japanese, Korean and Chinese
- USB wired or wireless mouse user interface
  - Use in hazardous location, dirty environments or applications with gloves

## Common Specifications

### Line Voltage/Power

- Data retention upon power failure via nonvolatile memory

### Functional Operating Range

- Type J: -346 to 2192°F (-210 to 1200°C)
- Type K: -454 to 2500°F (-270 to 1371°C)
- Type T: -454 to 750°F (-270 to 400°C)
- Type E: -454 to 1832°F (-270 to 1000°C)
- Type N: -454 to 2372°F (-270 to 1300°C)
- Type C: 32 to 4200°F (0 to 2315°C)
- Type D: 32 to 4200°F (0 to 2315°C)
- Type F: 32 to 2449°F (0 to 1343°C)
- Type R: -58 to 3214°F (-50 to 1767°C)
- Type S: -58 to 3214°F (-50 to 1767°C)
- Type B: 32 to 3300°F (0 to 1816°C)
- RTD (DIN): -328 to 1472°F (-200 to 800°C)
- Process: -1999 to 9999 units

### Calibration Accuracy

- Calibration accuracy and sensor conformity:  $\pm 0.1\%$  of span,  $\pm 1^\circ\text{C}$  at the calibrated ambient temperature and rated line voltage
  - Types R, S, B:  $\pm 0.2\%$
  - Type T below  $-50^\circ\text{C}$ :  $\pm 0.2\%$
- Calibration ambient temperature at  $77^\circ\text{F} \pm 5^\circ\text{F}$  ( $25^\circ\text{C} \pm 3^\circ\text{C}$ )
- Accuracy span:  $1000^\circ\text{F}$  ( $540^\circ\text{C}$ ) min.
- Temperature stability: Typical  $\pm 0.1^\circ\text{F}/^\circ\text{F}$  ( $\pm 0.1^\circ\text{C}/^\circ\text{C}$ ) rise in ambient max.

### Configuration Diagnostics

- Indicates if modules present match the expected configuration settings

### USB Host Port

- Total of 2 available
- Version: USB 2.0 hi-speed
- Connector: USB Type A, high-retention
- Flash drive must be FAT32 file system
- Max. current 0.5A/port

## System Configuration Requirements

- F4T has 6 slots for flex modules (FM)
- EIA-232/485 Modbus<sup>®</sup> RTU flex module, if used, must occupy slot 6 location
- A maximum of two 10A SSR FM modules can be used in the F4T and each will require space for 2 slots. Valid in slots 1, 2, 4 or 5

## Wiring Termination—Touch-Safe Terminals

- Right-angle and front-screw terminal blocks for input, output and power supply connections
- Input, output and power terminals: touch safe, removable, 12 to 30 AWG

## F4T Base Specifications

### Line Voltage/Power

- High voltage option: 100 to 240VAC  $\pm 10\%$  -15%, 50/60Hz  $\pm 5\%$
- Low voltage option: 24 to 28VAC/VDC  $\pm 10\%$  -15%, 50/60Hz  $\pm 5\%$
- Power consumption: 23 W, 54VA

### Environment

- NEMA 4X/IP65 front panel mount configuration only
- Operating temperature: 0 to 122°F (-18 to 50°C)
- Storage temperature: -40 to 185°F (-40 to 85°C)
- Relative humidity: 0 to 90%, non-condensing

### Agency Approvals

- UL<sup>®</sup>/EN 61010 Listed, File E185611 QUYY
- UL<sup>®</sup> 508 Reviewed
- CSA CC.C#14, File 158031
- FM Class 3545 (configurations with limit modules)
- AMS 2750 E compliant: Analog input process values. Tip: Maximize field calibration accuracy and uniformity by using advanced F4T features such as Calibration Offset and Linearization Function Blocks. Refer to user manual for details.
- RoHS by design, China RoHS Level 2, W.E.E.E.
- CE
- Windows<sup>®</sup> Hardware Certification

### User Interface

- 4.3 inch TFT PCAP color graphic touch screen
- LED backlife >50K hours
- 4 keys: Home, Main Menu, Back, Help
- Multiple languages
  - English, German, French, Italian, Spanish, Japanese, Korean and Chinese
- USB wired or wireless mouse functionality
  - Right click for 4 keys: Home, Main Menu, Back, Help

### Control Loops

- 1 to 4 PID or ON-OFF control loops
- 0 to 6 Limit loops
- User-selectable action: heat, cool or heat/cool
- Auto-tune with TRU-TUNE+ adaptive control

### Control Loops and Over-temperature Limits

- Input sampling: 10Hz
- Output update: 10Hz

### Communications

- Ethernet Modbus<sup>®</sup> TCP
- Isolated communications

### Profile Ramp and Soak Option

- Profile engine affects 1 to 4 loops in sync
- 40 profiles with 50 steps per profile

### Data Logging

- User selectable parameters: Up to a maximum of 128 active parameters depending on configuration
- Logging interval: Programmable increments between 0.1 seconds and 60 minutes if logging to internal memory. Logging directly to USB; 1.0 seconds to 60 minutes
- File types: .CSV for standard data logging or proprietary format for encrypted data log option
- Storage: 80MB internal memory or to USB memory stick
- File transfer: Internal memory to USB host port or to Ethernet Modbus<sup>®</sup> TCP
- Transfer options: On demand by user or user programmable based on when a new data log file record is available. Utilizes TFTP and Samba protocols
- Record: Date and time stamped

### Batch Processing with Bar Code Data Entry Via USB Scanner

- Compatible with many bar code types including Code 128, Code 39, Extended Code 39, Data Matrix, Interleaved 2 of 5, ISSN, SISAC, LOGMARS, QR, UCC/EAN-128 (GS1-128, UPC-A & E)
- Compatible with most USB scanner types such as Zebra DS4308, DS2208, LI2208 and LS2208
- USB port provides 500mA max. power supply for bar code scanner/base charging
- Display can show bar code fields up to a maximum length of 48 characters. Characters might wrap to 2 rows after 24 characters
- Part-Profile list entries – approximately 1,000 typical length part numbers of 15 characters each can be stored. Can easily import different part files via USB thumb drive connection to cover a higher quantity range of part lists
- Program the bar code scanner to add an enter key (carriage return feed) at the end of each bar code data field sent to F4T/D4T. Refer to USB scanner user manual.

### Number of Function Blocks by Ordering Option

Function Block	Basic	Set 1	Set 2
Alarm	6	8	14
Compare	None	4	16
Counter	None	4	16
Linearization	4	4	8
Logic	None	12	24
Math	None	12	24
Process Value	4	4	8
Special Output Function (including compressor)	None	2	4
Timer	None	6	16
Variable	4	12	24

### Trending

- 4 user programmable charts
- 6 pens available per chart
- View analog sensors, process values, set points and power

### Real Time Clock with Battery Backup

- Accuracy (typical): +/-3ppm over -15 to 50°C
- Typical battery life: 10 years at 77°F (25°C)
- Field replaceable lithium battery

### Compare

- Greater than, less than, equal, not equal, greater than or equal, less than or equal

### Counters

- Counts up or down, loads predetermined value on load signal

### Linearization

- Interpolated or stepped

### Logic

- And, nand, or, nor, equal, not equal, latch, flip-flop

### Math

- Average, process scale, switch over, deviation scale, differential (subtract), ratio (divide), add, multiply, absolute difference, minimum, maximum, square root, sample and hold, pressure-to-altitude and dew point

### Process Value

- Sensor backup, average, crossover, wet bulb-dry bulb, switch over, differential (subtract), ratio (divide), add, multiply, absolute difference, minimum, maximum, square root, altitude, Vaisala® relative humidity and pressure-to-altitude

### Special Output Function

- Compressor control (cool and/or dehumidify with single compressor), motorized valve, sequencer

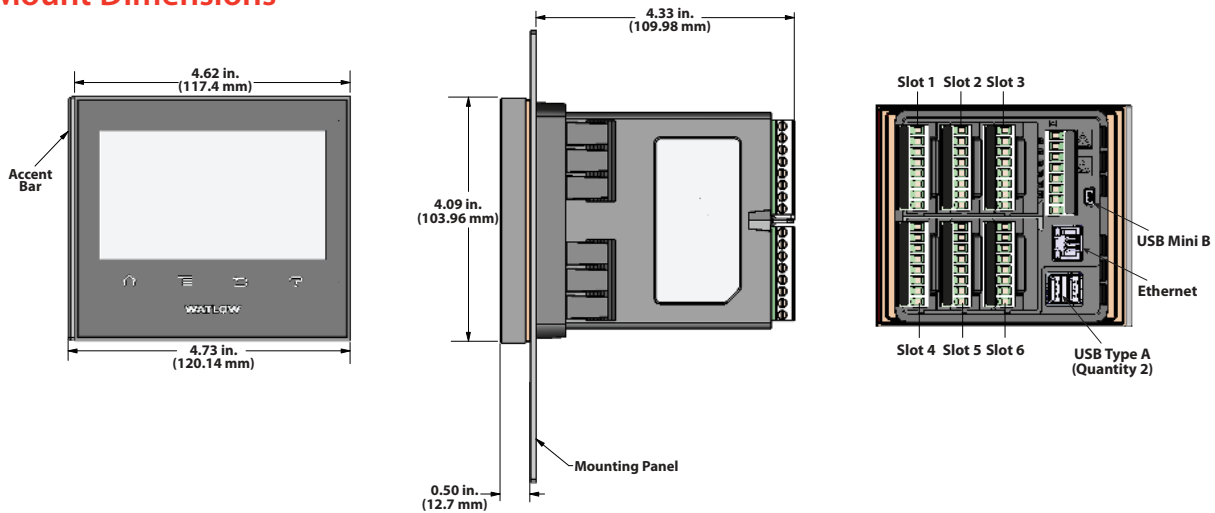
### Timers

- On pulse, delay, one shot or retentive

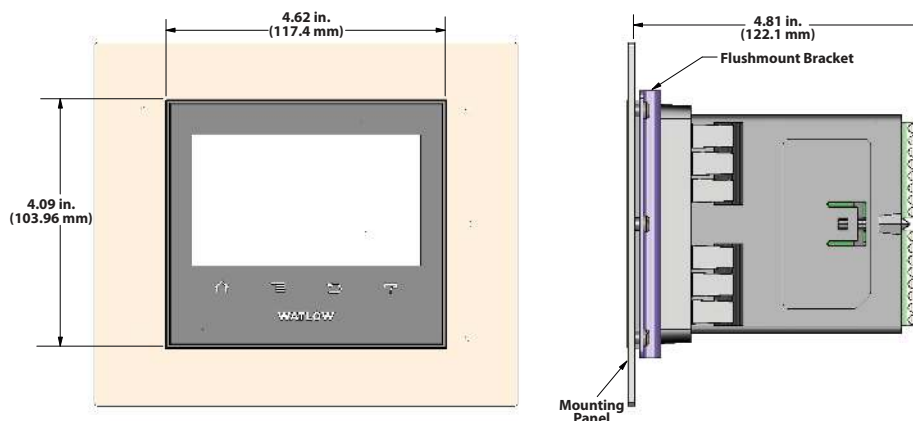
### Variable

- User value for digital or analog variable

## Panel Mount Dimensions



## Flush Mount Dimensions



## F4T Base Ordering Information

Base includes: 4.3 inch color graphical touch panel, 2 USB hosts, USB configuration port, standard bus, Ethernet Modbus® TCP, SCPI protocol and backwards compatible Modbus® for select key SERIES F4D/P/S parameters.

### Part Number

<b>1 2</b>	<b>3</b>	<b>4</b>	<b>5</b>	<b>6</b>	<b>7</b>	<b>8 9</b>	<b>10 11</b>	<b>12</b>	<b>13 14 15</b>
<b>F4</b>	<b>Base Type</b>	<b>Application Type</b>	<b>Data Logging</b>	<b>Power Supply Connector &amp; Voltage, Logo</b>	<b>Profiles &amp; Function Blocks</b>	<b>Future Options</b>	<b>Documentation, Accent Bar, Replacement Connector &amp; Custom</b>	<b>Control Algorithms</b>	<b>Populated Flex Modules</b>
	<b>T</b>					<b>AA</b>			

<b>3 Base Type</b>	
T =	Touch screen

<b>4 Application Type</b>	
1 =	Standard
X =	Custom options, contact factory

<b>5 Data Logging and Graphic Trend Charts</b>	
A =	None
B =	Graphical trend chart
J =	Data logging
K =	Data logging with encrypted files
L =	Data logging with graphical trend chart
M =	Data logging with encrypted files, graphical trend charts and batch processing with bar code data entry. <sup>①</sup>
<sup>①</sup> Must also order digit 7: Profiles option D, E or F for batch processing with bar code data entry feature to be enabled.	

<b>6 Power Supply Connector &amp; Voltage, Logo</b>			
	Power Supply	Power Supply Connector	Watlow Logo
1 =	100 to 240VAC	Right angle (standard)	Yes
2 =	100 to 240VAC	Right angle (standard)	No
3 =	100 to 240VAC	Front screw	Yes
4 =	100 to 240VAC	Front screw	No
5 =	24 to 28VAC or VDC	Right angle (standard)	Yes
6 =	24 to 28VAC or VDC	Right angle (standard)	No
7 =	24 to 28VAC or VDC	Front screw	Yes
8 =	24 to 28VAC or VDC	Front screw	No

<b>7 Profiles &amp; Function Blocks</b>					
	Profiles		Function Blocks		
	None	40 Profiles, Battery Backup and Real-Time Clock	Basic Set	Set 1	Set 2
A =	X		X		
B =	X			X	
C =	X				X
D =		X	X		
E =		X		X	
F =		X			X

**Note:** Refer to top of page 3 "Number of Function Blocks by Ordering Option" for quantities and types of functions blocks in each set.

<b>8 9 Future Options</b>	
AA =	Future Options

<b>10 11 Documentation, Accent Bar, Replacement Connector &amp; Custom</b>					
	Documentation DVD / QSG	Decorated Brush Aluminum Accent Bar			
		Gray	Blue	Red	None
1A =	Yes	X			
1B =	Yes		X		
1C =	Yes			X	
1D =	Yes				X
1E =	No	X			
1F =	No		X		
1G =	No			X	
1H =	No				X
1J =	Replacement connectors only - for the model number entered				
XX =	Contact factory, other custom-firmware, preset parameters, locked code, logo				

<b>12 Control Algorithms</b>		
	Control Loop	Cascade Loop
1 =	1	0
2 =	2	0
3 =	3	0
4 =	4	0
5 =	0	0
6 =	0	1
7 =	1	1
8 =	2	1
9 =	3	1
A =	0	2
B =	1	2
C =	2	2

**Note:** Each control loop algorithm requires 1 universal or thermistor input from a flex module.

**Note:** Each cascade loop algorithm requires 2 universal or thermistor inputs from flex modules.

<b>13 14 15 Populated Flex Modules</b>	
AAA =	No populated flex modules
XXX =	Contact factory - Populated flex modules

**Note:** If AAA is selected you will need to order Flex Modules (FM) next to account for input and output hardware.

## Flex Modules—High Density I/O Specifications

### Four Universal Inputs (Control Loops, Auxiliary Input)

- Thermocouple: grounded or ungrounded sensors, greater than 20MΩ input impedance, 2kΩ source resistance max.
- RTD: 2-wire, platinum, 100Ω and 1000Ω at 32°F (0°C) calibration to DIN curve (0.00385Ω/Ω/°C)
- Process: 0-20mA at 100Ω, or 0-10VDC, 0-50mVDC at 20kΩ input impedance; scalable
- Potentiometer: 0 to 1,200Ω
- Inverse scaling

### Four Thermistor Inputs (Control Loops, Auxiliary Input)

- 0 to 40kΩ, 0 to 20kΩ, 0 to 10kΩ, 0 to 5kΩ
- 2.252kΩ and 10kΩ base at 77°F (25°C)
- Preprogrammed Steinhart-Hart coefficients for Alpha Techniques (A curve 2.252k and 10k, C curve 10k), BetaTHERM (2.2K3A, 10K3A and 10K4A) and YSI (004, 016 and 006)
- User-settable Steinhart-Hart coefficients for other thermistors

### Three Universal Process/Retransmit Outputs

- Output range selectable
- 0 to 10VDC ±15mV into a min. 4,000Ω load with 2.5mV nominal resolution
- 0 to 20mA ±30µA into max. 400Ω load with 5µA nominal resolution
- Temperature stability 100ppm/°C

### Three Mechanical Relays

- 2 Form C relays, 1 Form A relay. Form A relay shares common with 1 Form C relay
- Each relay is 5A, 24 to 240VAC or 30VDC max., resistive load, 100,000 cycles at rated load. Requires a min. load of 20mA at 24V, 125VA pilot duty 120/240VAC, 25VA at 24VAC

### Four Mechanical Relays

- Form A, 5A ea., 24 to 240VAC or 30VDC max., resistive load, 100,000 cycles at rated load. Requires a min. load of 20mA at 24V, 125VA pilot duty

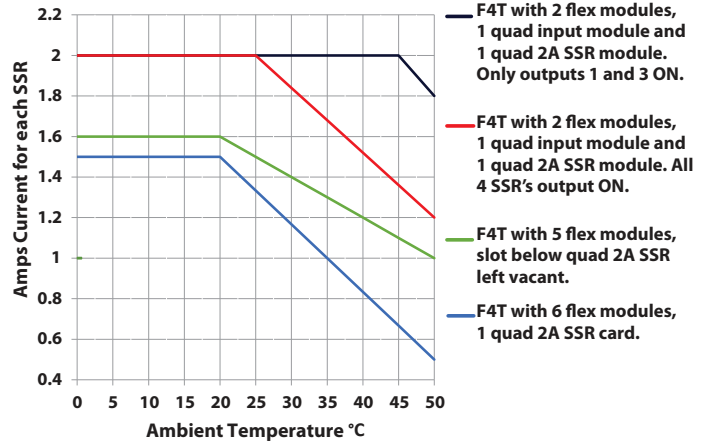
### Two Solid State Relays

- Form A, 10A max. each SSRs combined at 24VAC min., 264VAC max., opto-isolated, without contact suppression, max. resistive load 10A per output at 240VAC, max. 20A per card at 122°F (50°C), max.

### Four Solid State Relays

- Two pairs of SSRs, each pair shares a common
- Form A, 24VAC min., 264VAC max., opto-isolated, without contact suppression, resistive load 2A per output at 240VAC, max. See table for max. current per output

### Quad 2A SSR Card Derating Curves



### Six Digital I/O

- Each independently configurable as input or output
- Dry contact input: update rate 10Hz, min. open resistance 10kΩ, max. closed resistance 50Ω, max. short circuit 13mA
- DC voltage input: update rate 10Hz, max. input 36V at 3mA, min. high state 3V at 0.25mA, max. low state 2V
- Switched dc output: max. 5VDC at 130mA, or 19-22VDC at 80mA; field selectable
- Open collector output: 32VDC at 1.5A max., 8A max. per 6 outputs combined

## F4T Flex Module—High Density I/O Ordering Information

### Part Number

① ②	③	④	⑤	⑥ ⑦ ⑧	⑨	⑩	⑪ ⑫
FM	H	A	-	AAA	-	A	Custom Options - Firmware, Overlay, Preset Parameters, Locked Code

③	Module ID Type
H =	High Density I/O

④	Future Option
A =	Future Option

⑤	Input and Output Hardware
R =	4 universal inputs (T/C, RTD 2-wire, 0-10VDC, 0-20mA)
P =	4 thermistor inputs
C =	6 digital I/O
F =	3 universal process/retransmit outputs
B =	3 mechanical relay 5A, 2 Form C and 1 Form A (Form A shares a common with one Form C)
J =	4 mechanical relay 5A, Form A
K =	2 SSRs 10A <sup>①</sup>
L =	4 SSRs at 2A each. SSRs grouped in 2 pairs with each pair sharing a common

<sup>①</sup> Notes: Input and Output hardware option K: 2 SSR's 10A. The 2 SSR's 10A FM module requires 2 F4T slots. Valid slot locations are 1, 2, 4 or 5.

The F4T can support a maximum of two total of the K option FM module types (4 total SSR, 10A).

⑥ ⑦ ⑧	Future Options
AAA =	Future Options

⑨	Future Option
A =	Future Option

⑩	Custom Options and Connectors
A =	Right angle screw connector (standard)
F =	Front screw connector

⑪ ⑫	Custom Options - Firmware, Overlay, Preset Parameters, Locked Code
AA =	Standard with quick start guide
AB =	Standard without quick start guide
AC =	Replacement connectors hardware only - for the entered model number
XX =	Custom



## Flex Modules—Mixed and Limit I/O Specifications

### Universal Input

- Thermocouple: grounded or ungrounded sensors, greater than 20M $\Omega$  input impedance, 2k $\Omega$  source resistance max.
- RTD: 2- or 3-wire, platinum, 100 $\Omega$  and 1000 $\Omega$  at 32°F (0°C) calibration to DIN curve (0.00385 $\Omega/\Omega/^\circ\text{C}$ )
- Process: 0-20mA at 100 $\Omega$ , or 0-10VDC, 0-50mVDC at 20k $\Omega$  input impedance; scalable
- Potentiometer: 0 to 1,200 $\Omega$
- Inverse scaling

### Thermistor Input

- 0 to 40k $\Omega$ , 0 to 20k $\Omega$ , 0 to 10k $\Omega$ , 0 to 5k $\Omega$
- 2.252k $\Omega$  and 10k $\Omega$  base at 77°F (25°C)
- Preprogrammed Steinhart-Hart coefficients for Alpha Techniques (A curve 2.252k and 10k, C curve 10k), BetaTHERM (2.2K3A, 10K3A and 10K4A) and YSI (004, 016 and 006)
- User-settable Steinhart-Hart coefficients for other thermistors

### Temperature Input

- Thermocouple: grounded or ungrounded sensors, greater than 20M $\Omega$  input impedance, 2k $\Omega$  source resistance max.
- RTD: 2-wire, platinum, 100 $\Omega$  and 1000 $\Omega$  at 32°F (0°C) calibration to DIN curve (0.00385 $\Omega/\Omega/^\circ\text{C}$ )

### Digital Input

- Update rate: 10Hz
- DC voltage: max. input 36V at 3mA, min. high state 3V at 0.25mA, max. low state 2V
- Dry contact input: min. open resistance 10k $\Omega$ , max. closed resistance 50 $\Omega$ , max. short circuit 13mA

### Current Transformer Input

- Accepts 0-50mA signal (user programmable range)
- Displayed operating range and resolution can be scaled and are user programmable
- Current input range: 0 to 50mA ac, 100 $\Omega$  input impedance
- Response time: 1 second max., accuracy  $\pm 1$ mA typical
- Use with current transformer (Watlow part number: 16-0246)

### Switched DC Output

- Max. 32VDC open circuit
- Max. current 30mA per single output
- Max. current 40mA per pair

### Open Collector Output

- Max. 30VDC at 100mA

### Solid State Relay (SSR) Output

- Form A, 1A at 50°F (10°C) to 0.5A at 149°F (65°C), 0.5A at 24VAC min., 264VAC max., opto-isolated, without contact suppression

### Form A Electromechanical Relay Output

- 5A, 24 to 240VAC or 30VDC max., resistive load, 100,000 cycles at rated load, requires a min. load of 20mA at 24V, 125VA pilot duty

### Form C Electromechanical Relay Output

- 5A, 24 to 240VAC or 30VDC max., resistive load, 100,000 cycles at rated load, requires a min. load of 20mA at 24V, 125VA pilot duty

### NO-ARC Relay Output

- Form A, 12A at 122°F (50°C), 85 to 264VAC, no VDC, resistive load, 2 million cycles at rated load

### Universal Process/Retransmit Output

- Range selectable
- 0 to 10VDC  $\pm 15$ mV into a min. 1,000 $\Omega$  load with 2.5mV nominal resolution
- 0 to 20mA  $\pm 30$  $\mu\text{A}$  into max. 800 $\Omega$  load with 5 $\mu\text{A}$  nominal resolution
- Temperature stability 100ppm/ $^\circ\text{C}$

## F4T Flex Module—Mixed I/O Ordering Information

Part Number

① ②	③	④	⑤	⑥ ⑦	⑧	⑨	⑩	⑪ ⑫
<b>FM</b>	<b>M</b>	<b>A</b>		<b>Output Hardware Options</b>	<b>A</b>	<b>A</b>	<b>Custom Options and Connectors</b>	<b>Custom Options - Firmware, Overlay, Preset Parameters, Locked Code</b>

③	Module ID Type
M =	Mixed I/O

④	Future Option
A =	Future Option

⑤	Input Hardware
A =	None
U =	Universal input - T/C, RTD 2- or 3-wire, 0-10VDC, 0-20mA
T =	Thermistor input
C* =	Current transformer input

\*Note: If option C is ordered then the following options are NOT valid for Outputs 1 & 2: FA, FC, FJ and FK.

⑥ ⑦	Output Hardware Options	
	Output 1	Output 2
AA =	None	None
AJ =	None	Mechanical relay 5A, Form A
AK =	None	SSR Form A, 0.5A
CA =	Switched dc/open collector	None
CH =	Switched dc/open collector	NO-ARC 12A power control
CC =	Switched dc/open collector	Switched dc
CJ =	Switched dc/open collector	Mechanical relay 5A, Form A
CK =	Switched dc/open collector	SSR Form A, 0.5A
EA =	Mechanical relay 5A, Form C	None
EH =	Mechanical relay 5A, Form C	NO-ARC 12A power control
EC =	Mechanical relay 5A, Form C	Switched dc
EJ =	Mechanical relay 5A, Form C	Mechanical relay 5A, Form A
EK =	Mechanical relay 5A, Form C	SSR Form A, 0.5A
FA =	Universal process/retransmit	None
FC =	Universal process/retransmit	Switched dc
FJ =	Universal process/retransmit	Mechanical relay 5A, Form A
FK =	Universal process/retransmit	SSR Form A, 0.5A
KH =	SSR Form A, 0.5A	NO-ARC 12A power control
KK =	SSR Form A, 0.5A	SSR Form A, 0.5A

⑧	Future Option
A =	Future Option

⑨	Future Option
A =	Future Option

⑩	Custom Options and Connectors
A =	Right angle screw connector (standard)
F =	Front screw connector

⑪ ⑫	Custom Options - Firmware, Overlay, Preset Parameters, Locked Code
AA =	Standard with quick start guide
AB =	Standard without quick start guide
AC =	Replacement connectors hardware only - for the entered model number
XX =	Custom

## F4T Flex Module—Limit Ordering Information

Part Number

① ②	③	④	⑤ ⑥ ⑦	⑧	⑨	⑩	⑪ ⑫
<b>FM</b>	<b>L</b>	<b>A</b>	<b>Input and Output Hardware Options</b>	<b>A</b>	<b>A</b>	<b>Custom Options and Connectors</b>	<b>Custom Options - Firmware, Overlay, Preset Parameters, Locked Code</b>

③	Module ID Type
L =	Limit

④	Future Option
A =	Future Option

⑤ ⑥ ⑦	Input and Output Hardware Options			
	Functions	Auxiliary Output Hardware	Limit Output Hardware	Auxiliary Input Hardware
LCJ =	Limit control with universal input	Switched dc/ open collector	Mechanical relay 5A, Form A	None
LEJ =	Limit control with universal input	Mechanical relay 5A, Form C	Mechanical relay 5A, Form A	None
LAJ =	Limit control with universal input	None	Mechanical relay 5A, Form A	None
MCJ =	Limit control with thermistor input	Switched dc/ open collector	Mechanical relay 5A, Form A	None
MEJ =	Limit control with thermistor input	Mechanical relay 5A, Form C	Mechanical relay 5A, Form A	None
MAJ =	Limit control with thermistor input	None	Mechanical relay 5A, Form A	None
YEB =	Limit control with temperature input	None	Mechanical relay 5A, Form C	Single digital input (limit reset)

Notes: Universal input = T/C, RTD 2- or 3-wire, 0-10VDC, 0-20mA  
Temperature input = T/C and RTD 2-wire only

⑧	Future Option
A =	Future Option

⑨	Future Option
A =	Future Option

⑩	Custom Options and Connectors
A =	Right angle screw connector (standard)
F =	Front screw connector

⑪ ⑫	Custom Options - Firmware, Overlay, Preset Parameters, Locked Code
AA =	Standard with quick start guide
AB =	Standard without quick start guide
AC =	Replacement connectors hardware only - for the entered model number
XX =	Custom

## F4T Flex Modules—Communication Ordering Information

### Part Number

<b>1 2</b>	<b>3</b>	<b>4</b>	<b>5</b>	<b>6 7 8</b>	<b>9</b>	<b>10</b>	<b>11 12</b>
<b>FM</b>	<b>Module ID Type</b> <b>C</b>	<b>Future Option</b> <b>A</b>	<b>Comm. Option</b> <b>2</b>	<b>Future Options</b> <b>AAA</b>	<b>Future Option</b> <b>A</b>	<b>Custom Options and Connectors</b>	<b>Custom Options - Firmware, Overlay, Preset Parameters, Locked Code</b>

<b>3</b>	<b>Module ID Type</b>
<b>C =</b>	Communications

<b>4</b>	<b>Future Option</b>
<b>A =</b>	Future Option

<b>5</b>	<b>Communications Option</b>
<b>2 =</b>	Modbus® RTU 232/485

**Notes:** EIA-232/485 Modbus® RTU flex module, if used, must occupy F4T slot 6 location.

<b>6 7 8</b>	<b>Future Options</b>
<b>AAA =</b>	Future Options

<b>9</b>	<b>Future Option</b>
<b>A =</b>	Future Option

<b>10</b>	<b>Custom Options and Connectors</b>
<b>A =</b>	Right angle screw connector (standard)
<b>F =</b>	Front screw connector

<b>11 12</b>	<b>Custom Options - Firmware, Overlay, Preset Parameters, Locked Code</b>
<b>AA =</b>	Standard with quick start guide
<b>AB =</b>	Standard without quick start guide
<b>AC =</b>	Replacement connectors hardware only - for the entered model number
<b>XX =</b>	Custom

## Accessories

Part Number	Description
0830-0870-0000	Protective screen cover (2 per pack)
0822-0705-0000	F4T 1/4 DIN mounting collar - thru front panel mount
0216-1285-0000	Flush mount - mounting adapter plate
0847-0400-0000	USB 2.0 to RJ45 Ethernet adapter
0238-1245-ALUM	Accent bar (brushed aluminum gray)
0238-1245-REDD	Accent bar (brushed aluminum red)
0238-1245-BLUE	Accent bar (brushed aluminum blue)
16-0246	Current transformer
0804-0147-0000	RC suppression - Quencharc®
0601-0001-0000	Controller support tools (DVD)
0830-0808-0001 (CAPUSB-MB5)	Rubber plug USB mini
0830-0808-0002 (CAPUSB-A)	Rubber plug USB host
0830-0858-0000	Replacement battery
0822-0769-0000	Module slot plug (for vacant F4T slots without flex modules)

## Recommended Third-Party Components

Mfg.	Mfg. Part Number	Description	Website
Amphenol	USBF 21N SCC	USB - A receptacle with self closing cap	www.alliedelec.com
Amphenol	USBBF 21N SCC	USB - B receptacle with self closing cap	www.alliedelec.com
Amphenol	RJF 21N SCC	RJ45 receptacle with self closing cap	www.alliedelec.com
Molex	847290006	USB type A panel mount with 2 m cord	www.alliedelec.com
Molex	84700-0003	Dust cover	www.alliedelec.com

## Documentation

Part Number	Description
1720-6742	Installation and Troubleshooting User Guide
1680-2414	Setup and Operations User Guide
1440-3329	F4T Controller Quick Start Guide
0600-0095-0000	Communications Flex Modules Quick Start Guide
0600-0096-0000	High Density Flex Modules Quick Start Guide
0600-0097-0000	Mixed I/O Flex Modules Quick Start Guide

Watlow®, TRU-TUNE®, and COMPOSER® are registered trademarks of Watlow Electric Manufacturing Company.

UL® is a registered trademark of Underwriter's Laboratories Incorporated.

Modbus® is a registered trademark of Schneider Automation Incorporated.

Vaisala® is a registered trademark of Vaisala OY Corporation.

Microsoft® and Windows® are registered trademarks of the Microsoft Corporation.

Quencharc® is a registered trademark of ITW Paktron.

*Powered by Possibility*



To be automatically connected to the nearest North American Technical Sales Office:

1-800-WATLOW2 • [www.watlow.com](http://www.watlow.com)

### International Technical Sales Offices:

<b>Austria</b>	+43 6244 20129 0	<b>India</b>	+91 40 6661 2700	<b>Mexico</b>	+52 442 256 2200
<b>China</b>	+86 21 3532 8532	<b>Italy</b>	+39 02 458 8841	<b>Singapore</b>	+65 6773 9488
<b>France</b>	+33 1 41 32 79 70	<b>Japan</b>	+81 3 3518 6630	<b>Spain</b>	+34 91 675 1292
<b>Germany</b>	+49 7253 9400 0	<b>Korea</b>	+82 2 2169 2600	<b>Taiwan</b>	+886 7 288 5168
				<b>UK</b>	+44 115 964 0777